

**Ex panelboard for hazardous areas**  
Zone 1, 2, 21 and 22

**CROUSE-HINDS**  
SERIES

# AGP17

**Stainless steel panelboards**



**Safe. Reliable. Efficient.**

**EATON**

*Powering Business Worldwide*



# AGP17 stainless steel panelboards

## Energy distribution, switching and control assembly

### A robust solution for power distribution in Zone 1,2,21 and 22 hazardous areas

Eaton's Crouse-Hinds series AGP17 distribution and control board is certified for hazardous areas with Ex de protection. Ex e increased safety stainless steel enclosure ensures maximum performance and corrosion resistance. A wide range of internal encapsulated components are available to meet the customized requirement.



#### Factory sealed assembly eliminates flame path

- Easy installation and reduced labor cost
- Reduced maintenance cost by eliminating Ex d inspections according to IEC60079 17 which requires inspections within every three years

#### Boltless and only captive screws enclosure

- Easy to open and access
- Increased safety by avoiding the risk of compromising safety due to missing, broken, stripped or galled bolts

#### Material SSS316L enclosure

- High level of corrosion and chemical resistant, ideal for off-shore application and other aggressive hazardous area.

#### Modular design on enclosures and components

- Easy to expansion.
- Easy to replace encapsulated components

#### Ex d MCCB up to 250A

- Covers wide application in Ex board design.

#### Lightweight compact design

- Easy to install
- Advantage for off-shore applications.

# AGP17 stainless steel panelboards

## Energy distribution, switching and control assembly

### Applications

Designed for electrical power distribution of lighting fixtures, heat tracing circuits, motor control and socket outlets in potentially explosive atmospheres.

The AGP17 is ideal for areas where moisture or corrosion may be a problem, such as offshore oil platforms, pharmaceutical and chemical plants, refineries, food processing facilities and other industrial locations.

### Certifications and Compliance

Marking accd. to 2014/34/EU

- Ex II 2 G Ex db eb ia/ib mb [ia/ib] IIC T4~T6 Gb
- Ex II 2 D Ex tb IIIC T80°C Db IP66

Marking accd. to IECEx

- Ex db eb ia/ib mb [ia/ib] IIC T4~T6 Gb
- Ex tb IIIC T80°C Db IP66

Degree of protection accd. to EN 60079

- IP66

Permissible ambient temperature

- -20 °C up to +40 °C
- -40 °C up to +55 °C (option)

### Material of enclosures

- Enclosure material: SS316L (standard), SS304(optional)
- Enclosure finish: Electro-polish(standard), mechanical brush(optional)
- Material thickness:1.5mm (standard), 2mm(optional)

### Product features

- ATEX, IECEx, GB&CCC
- Ex de type of explosion proof.  
Modular design enclosures and components.
- Up to 250A rated encapsulated MCCB is available for main breaker.
- Wide range of encapsulated components including MCB, RCD, RCBO, contactor, overload relay, etc.
- Test function available for RCD/RCBO.

### Electrical Ratings

- Rated voltage up to 690V
- Rated current up to 315A
- Terminal cross section up to 300mm<sup>2</sup>



# AGP17 stainless steel panelboards order logic<sup>1)</sup>

## Part number example

### AGP17340M4086M2001AS

AGP17 distribution board, Type 3 enclosure,

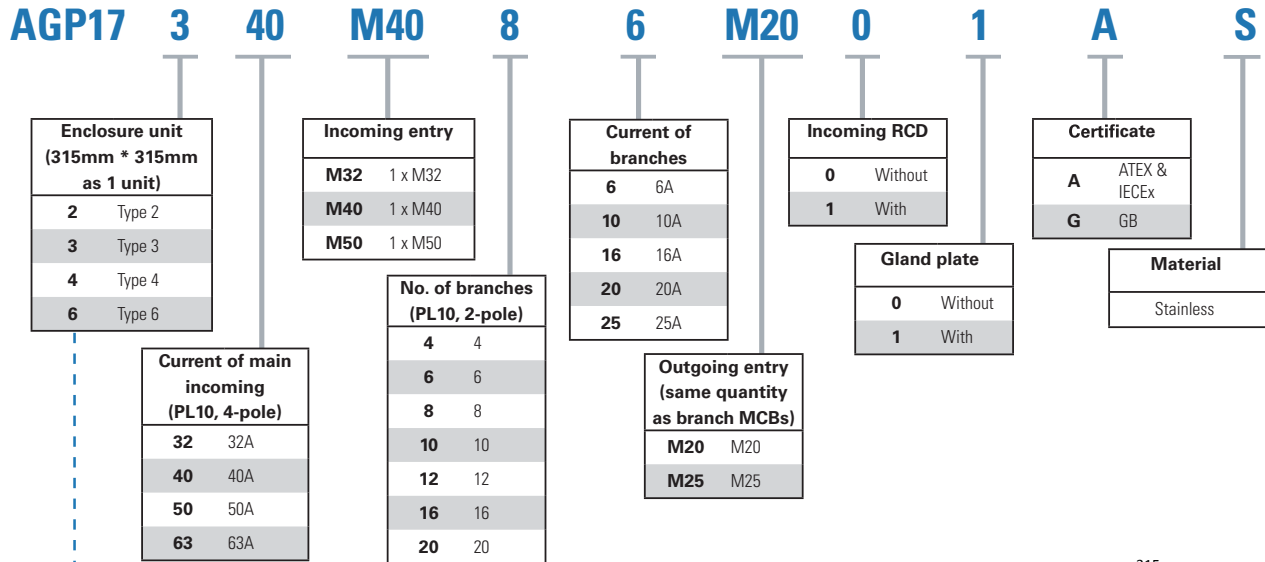
Incoming: MCB 40A, 4 pole

Incoming entry: 1 x M40

Outgoing: 8 branches of MCB 6A, 2 pole

Outgoing entry: 8 x M20

no incoming RCD, with gland plate, ATEX/IECEx certificate.



#### Enclosure unit selection guide:

Branch qty	Appropriate Enclosure
4 branches	Type 2
6 branches	Type 2 without incoming RCD
	Type 3 with incoming RCD
8 branches	Type 3
10 branches	Type 3 without incoming RCD
	Type 4 with incoming RCD
12 branches	Type 4
16 branches	Type 6
20 branches	Type 6

#### Notes:

The number of enclosure units depend on the number of breakers required.

One mounting area (1 window) is for 4 x 2P MCB or 2 x 4P MCB (RCD).

Refer to above table for enclosure type

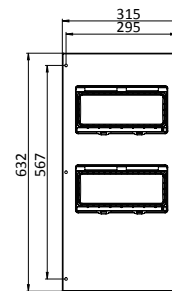
#### Incoming / Outgoing terminals size

Current (Amp)	Terminal size (mm <sup>2</sup> )
6	2.5
10	4
16	4
20	6
25	10
32	16
40	16
50	35
63	35

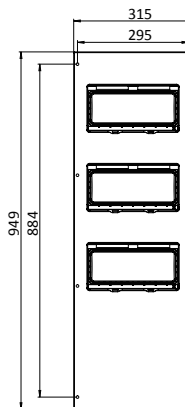
Terminals for incoming cable: 3P+N+PE

Terminals for outgoing cable: L+N+PE

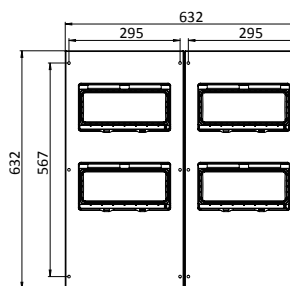
#### Dimensions:



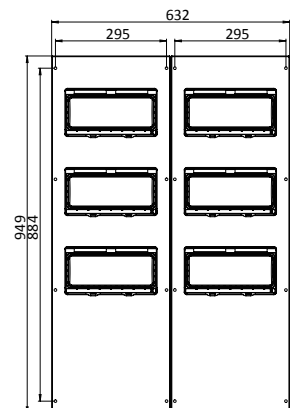
Type 2



Type 3



Type 4



Type 6

<sup>1)</sup> Customized panelboards on request

# Ex-d built-in components - MCB Modules



## MCB 0.5A to 63A

### Certifications and Compliances

Marking accd. to ATEX/IECEX	Ex db eb IIC Gb
Application temperature <sup>1)</sup>	-40°C~+64°C / -20°C~+64°C

### Electrical Ratings

Rated voltage	Main contact	max. 440 V AC
	Auxiliary contact	max. 250 V AC
Rated current	Main contact	0.5A to 63A
	Auxiliary contact	max. 5 A
Rated switching capacity 2/3 phase		10 kA
Back-up fuse		depend on rated current up to 125 A
Connection terminals	Main contact	25 mm <sup>2</sup>
	Auxiliary contact	2.5 mm <sup>2</sup>

### Additional Specifications

Weight	0.74 kg size 1
	1.13 kg size 2
	1.49 kg size 3
Enclosure material	Reinforced flame-retardant nylon
Enclosure colour	black
Options	Aux. contact; signal contact; shunt trip; undervoltage release
Padlocking capability	Padlockable at off position

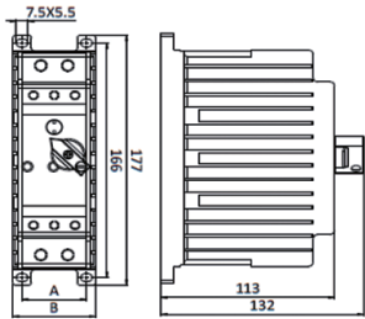
<sup>1)</sup> Depends on installation

## MCB Ordering Logic

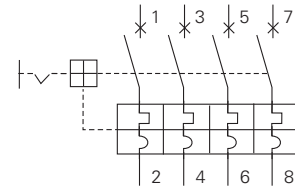
CPD161	-2	-1	1	2	-C	630	10	-1	2	1	1	N		
Product Group	Enclosure size	Internal components code	Internal MCB	MCB size	Tripping characteristic	Rated current	Rated switching capacity	Aux. contact	Signal contact	Shutting release	Undervoltage release	Tamb		
CPD161	2 Size1	1MCB	1 Eaton/PL10-1P(230/400V), 2-4P(400V) 50/60Hz	1 1Pole	B B capacity	005 0.5A	15 15kA <sup>1)</sup>	0 NA	0 NA	0 NA	0 NA	N		
	3 Size2			2 2Pole	C C capacity	010 1A	10 10kA	1 1NO	1 1C/O	1 12-110V	1 115VAC	-20C~+64°C		
	4 Size3			2 Eaton/FAZ - 1P(240/415V), 2-4P(440V) 50/60Hz	3 3Pole	D D caoacity	020 2A	06 6kA	2 1NC		2 110-415V	2 230VAC	Blank	
	Enclosure size1			2P	4 4Pole	030 3A	3 1C/O	3 3A	4 2NO	5 1NO+1C/O	6 1NO+1NC	3 400VAC	-40°C~+64°C	
				1P	040 4A									
				1P+ Aux. contact	060 6A									
				(1NO+1NC or 1CO or 2CO)	100 10A									
				1P+ Signal contact 1CO and/or	130 13A									
				Aux.contact 1CO)	160 16A									
				Enclosure size2	3P	200 20A								
					2P+ Aux. contact	250 25A								
					(1NO+1NC or 1CO or 2CO)	320 32A								
					2P+ Signal contact 1CO and/or	400 40A								
	Aux.contact 1CO)			500 50A										
	2P+ shutting release contact			630 63A										
	2P+ undervoltage release contact													
Enclosure size3	4P													
	3P/4P+ Aux. contact													
	(1NO+1NC or 1CO or 2CO)													
	3P/4P+ Signal contact 1CO and/or													
Aux.contact 1CO)														
3P/4P+ shutting release contact														
3P/4P+ undervoltage release contact														

<sup>1)</sup> FAZ only  
Contact Eaton for other configuration

Dimension drawing / connection diagram



Product type	A	B
CPD161-2	42	54
CPD161-3	60	72
CPD161-4	96	108



# Ex-d built-in components - MCCB Modules



GHG 6277

## MCCB 20A to 250A

Certifications and Compliances		
Marking accd. to 2014/34/EU		D II 2 G Ex de IIB/IIC Gb
Marking accd. to IECEx		Ex de IIB/IIC Gb
Functional temperature		-20°C up to +70°C
Application temperature <sup>1)</sup>		-20°C up to +55°C (IIC / IIB based on AGP17)
Limits of service temperature		-20°C up to +110°C (IIC / IIB)
Component degree of protection accd. EN 60529		IP20
Storage temperature		-20°C up to +55°C in original packing
Electrical Ratings		
Safe Isolation to EN 61140	between aux contacts and main contacts	500 VAC
	between aux contacts	300 VAC
Rated impulse withstand voltage	main contacts	8000 V
	auxiliary contacts	6000 V
Rated operating voltage $U_e$		440 V
Rated switching capacity $I_{cu}$	400/415/440V (50/60Hz) kA/cos $\phi$	10 kA/0.25 or 25 kA
	500VDC	10 kA
Rated current $I_n$	main contact	20A,25A,32A,40A,63A,80A,100A,125A,160A,200A or 250A
	aux. contact	max. 5 A
Adjustable setting range $I_r$		0.8 to 1.0 x rated current $I_n$
Short current protection		$I_i = 10 \times I_n$
Utilization category to IEC/EN 60947-2		A
Making/breaking capacity at rated current up to 400 V		AC1 & AC3
Connecting terminals main contact		1 x 4.0 mm <sup>2</sup> up to 1 x 185 mm <sup>2</sup>
Rated voltage aux. contact		max. 500 V AC
Rated current aux contact	AC15 Ie (up to 230 V) / DC13 Ie (up to 24 V)	4 A / 3 A
	AC15 Ie (up to 400 V) / DC13 Ie (up to 60 V)	2 A / 1.2 A
	AC15 Ie (up to 500 V) / DC13 Ie (up to 110 V)	1 A / 0.8 A
	DC13 Ie (up to 220 V)	0.3 A
Connecting terminals aux./signal contact		1.0 mm <sup>2</sup> up to 4.0 mm <sup>2</sup> fine stranded
Total opening delay on short circuit		< 10 ms
Additional Specifications		
Weight		10.5 kg - 4-pole / 10 kg - 3 pole
Enclosure material		Polyamide
Built-in position		Vertical and rotated 90 deg in all directions
Release system		Thermomagnetic release

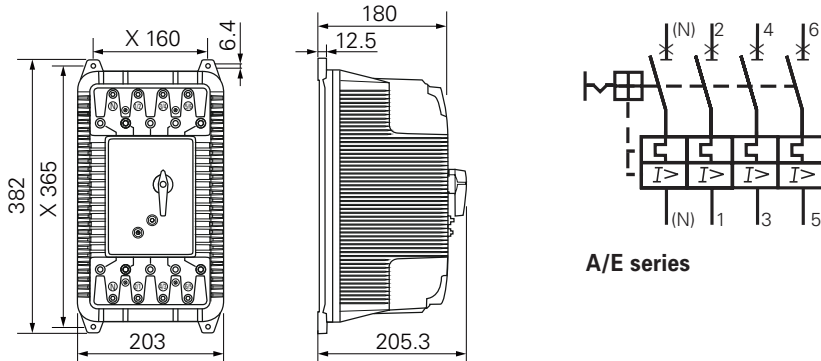
<sup>1)</sup> The limits of the operating temperature range and the max. permissible temperature rise of the components (functional temperature) have to be taken into account.

## MCCB Ordering Logic

GHG 6277	0	01	R0	1	3	2
Product Group	Configuration	Accessories	Version	# of poles	shortcircuit current	Rated current
<b>GHG6277</b>	<b>0</b> MCCB only	<b>01</b> Shunt trip 24V AC/DC + early make 1NO	<b>R0</b> E-series (standard)	<b>1</b> 3 pole	<b>3</b> IEC 10 kA@ 440V	<b>1</b> 20 A <sup>1)</sup>
	<b>1</b> MCCB + 1NO	<b>02</b> Shunt trip 110V-130V AC/DC + early make 1NO		<b>2</b> 4 pole	<b>4</b> IEC 25 kA@ 440V AC	<b>2</b> 25 A <sup>1)</sup>
	<b>2</b> MCCB + 1NC	<b>03</b> Shunt trip 208V-250V AC/DC + early make 1NO	<b>R1</b> A-series (@ 10 kAonly)		10kA@500V DC	<b>3</b> 32 A <sup>1)</sup>
	<b>3</b> MCCB + trip indicator 1NO	<b>04</b> Shunt trip 380V-440VAC/DC + early make 1NO	<b>R2</b> E-series (Low current)			<b>4</b> 40 A <sup>1)</sup>
	<b>4</b> MCCB + 1NO/1NC + trip indicator 1NC	<b>05</b> Uv release 24V 50/60Hz + early make 1NO				<b>2</b> 63 A
	<b>5</b> MCCB + 2NO 5	<b>06</b> Uv release 110V-130V 50/60Hz + early make 1NO				<b>3</b> 80 A
	<b>6</b> MCCB + 2NC 6	<b>07</b> Uv release 208V-240V 50/60Hz + early make 1NO				<b>4</b> 100 A
	<b>7</b> MCCB + 2NO + trip indicator 1NO	<b>08</b> Uv release 380V-440V 50/60Hz + early make 1NO				<b>5</b> 125 A
	<b>8</b> MCCB + 2NC + trip indicator 1NO	<b>09</b> Uv release 480V-525V 50/60Hz + early make 1NO				<b>6</b> 160 A
	<b>9</b> MCCB + 1NO + 1NC + trip indicator 1NO	<b>10</b> Shunt trip 24V AC/DC				<b>7</b> 200 A
		<b>11</b> Shunt trip 110V-130V AC/DC				<b>9</b> 250 A
		<b>12</b> Shunt trip 208V-250V AC/DC				
		<b>13</b> Shunt trip 380V-440VAC/DC				
		<b>14</b> Uv release 24V 50/60Hz				
		<b>15</b> Uv release 110V-130V 50/60Hz				
		<b>16</b> Uv release 208V-240V 50/60Hz				
		<b>17</b> Uv release 380V-440V 50/60Hz				
		<b>18</b> Uv release 480V-525V 50/60Hz				
		<b>19</b> Early make aux. switch 2NO				
		<b>20</b> Uv release 24V DC				

<sup>1)</sup> Available for R2 E-series only

## Dimension drawing / connection diagram





# Ex-d built-in components - RCD modules



## RCD 30mA to 300mA (25A/40A/63A)

### Certifications and Compliances

Marking accd. to ATEX/IECEx	Ex db eb IIC Gb
Application temperature <sup>1)</sup>	-25°C→+55°C / -20°C→+55°C

### Electrical Ratings

Rated voltage	Main contact	max. 400 V AC
	Auxiliary contact	max. 250 V AC
Rated current	Main contact	16A to 63A
	Auxiliary contact	max. 5 A
Rated residual operating current		30mA, 100mA or 300mA
Back-up fuse		depend on rated current up to 100 A
Connection terminals	Main contact	25mm <sup>2</sup>
	Auxiliary contact	2.5 mm <sup>2</sup>

### Additional Specifications

Weight		0.74 kg Size 1
		1.13 kg Size 2
		1.49 kg Size 3
Enclosure material		Reinforced flame retardant nylon
Enclosure colour		black
Options		Aux. contact; signal contact
Padlocking capability		Padlockable at off position

<sup>1)</sup> Depends on installation

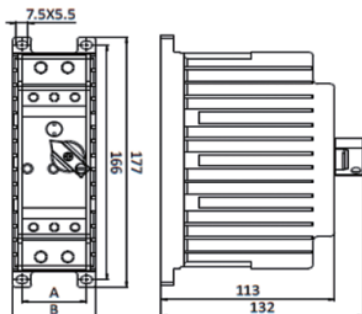
### RCD Ordering Logic

CPD161	-2	-2	1	2	-630	030	-1	0	N
Product Group	Enclosure size	Internal components code	Internal RCD	Internal industrial RCD size	Rated current	Rated residual operating current	Aux. contact	Signal contact	Tamb
<b>CPD161</b>	2 Size1 3 Size2 4 Size3	2 RCD	1 Eaton/50Hz PFIM 230V(2P), 230/400V(4P) 2 Eaton/xEffem/60Hz FRCmM-A 240V(2P)/240/415V(4P)	2 2Pole 4 4Pole	160 16A <sup>1)</sup> 250 25A 400 40A 630 63A	030 30mA 100 100mA <sup>2)</sup> 300 300mA <sup>2)</sup>	0 NA 1 1C/0	0 NA 1 1C/0	For 50Hz RCD: N -20°C→+55°C Blank -25°C→+55°C  For 60Hz RCD: TN -20°C→+40°C T -25°C→+40°C
	Enclosure size1	2P							
	Enclosure size2	2P+ Aux. contact(1CO) 2P+ Signal contact (1CO)							
	Enclosure size3	4P 4P+ Aux. contact(1CO) 4P+ Signal contact (1CO)							

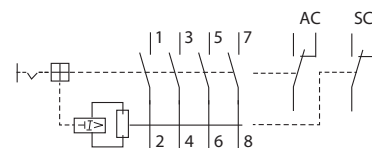
<sup>1)</sup> FRCmM-A only

<sup>2)</sup> FRCmM-A 63A/2P and 63A/4P not available  
Contact Eaton for other configuration

### Dimension drawing / connection diagram



Product type	A	B
CPD161-2	42	54
CPD161-3	60	72
CPD161-4	96	108



# Ex-d built-in components - RCBO modules



## RCBO 0.5A to 63A (30A/300mA)

### Certifications and Compliances

Marking accd. to ATEX/IECEx	Ex db eb IIC Gb
Application temperature <sup>1)</sup>	-25°C~+55°C / -20°C~+55°C

### Electrical Ratings

Rated voltage	Main contact	max. 400 V AC
	Auxiliary contact	max. 250 V AC
Rated current	Main contact	0.5A to 63A
	Auxiliary contact	max. 5 A
Rated switching capacity 2/3 phase		10 kA
Back-up fuse		depend on rated current up to 100 A
Connection terminals	Main contact	25mm <sup>2</sup>
	Auxiliary contact	2.5 mm <sup>2</sup>

### Additional Specifications

Weight		0.74 kg size 1
		1.13 kg size 2
		1.49 kg size 3
Enclosure material		Reinforced flame retardant nylon
Enclosure colour		black
Options		Aux. contact; signal contact
Padlocking capability		Padlockable at off position

<sup>1)</sup> Depends on installation

### RCBO Ordering Logic

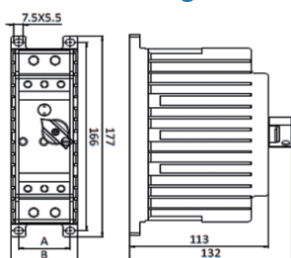
Product Group	Enclosure size	Internal components code	Internal RCBO	RCBO size	Tripping characteristic	Rated current	Rated switching capacity	Rated residual operating current	Aux. contact	Signal contact	Tamb
CPD161	-2 -3	-	1	2	-C	630	10	030	-1	1	N
CPD161	2 Size1 3 Size2 4 Size3	3 RCBO	1 Eaton/PLD10 - 230V - 50Hz Electronic type 2 Eaton/MCB(PL10)+PDB - 400V - 50Hz Electronic type 3 Eaton/PFL10 - 230V - 50Hz Electromagnetic type 4 Eaton/MCB(PL10)+PBSM - 230V - 50Hz Electromagnetic type 5 Eaton/FRBmM-B - 240V-50Hz/60Hz <sup>1)</sup> 6 Eaton/FRBm6-B - 240V-50Hz (6KA, 32A or 40A) 7 Eaton/FRBmM-C - 240V-50Hz/60Hz <sup>1)</sup> 8 Eaton/FRBm6-C - 240V-50Hz (6KA, 32A or 40A)	2 1Pole+N 4 2Pole <sup>2)</sup>	C C capacity D D capacity B B caoacity	005 0.5A 010 1A 016 1.6A 020 2A 030 3A 040 4A 060 6A 080 8A 100 10A	130 13A 160 16A 200 20A 250 25A 320 32A 400 40A 500 50A 630 63A	030 30mA 300 300mA <sup>3)</sup> 100 100mA <sup>3)</sup>	0 NA 1 1C/O 2 2C/O	0 NA 1 1C/O 2 2C/O	For 50Hz RCBO, use N -20°C~+55°C Blank -25°C~+55°C For 60Hz RCBO, use TN -20°C~+40°C T -25°C~+40°C

<sup>1)</sup> FRBmM 10kA, rated current 6A,10A,13A,16A,20A,25A; FRBm6 6kA, rated current only 32A or 40A 30mA only residual value available for 60Hz

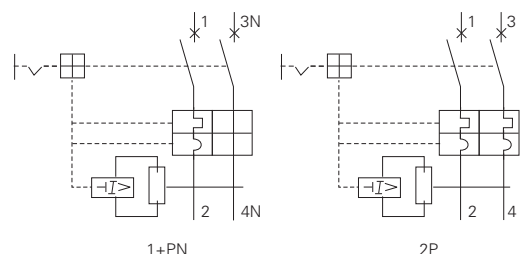
<sup>3)</sup> Not available for PLD10 & PFL10 Contact Eaton for other configuration

<sup>2)</sup> PL10+PDB and PL10+PBSM utilize philosophy of MCB + RCCB connection in series for 2pole protection. FRBmM and FRBm6 are individual components for 2 pole protection.

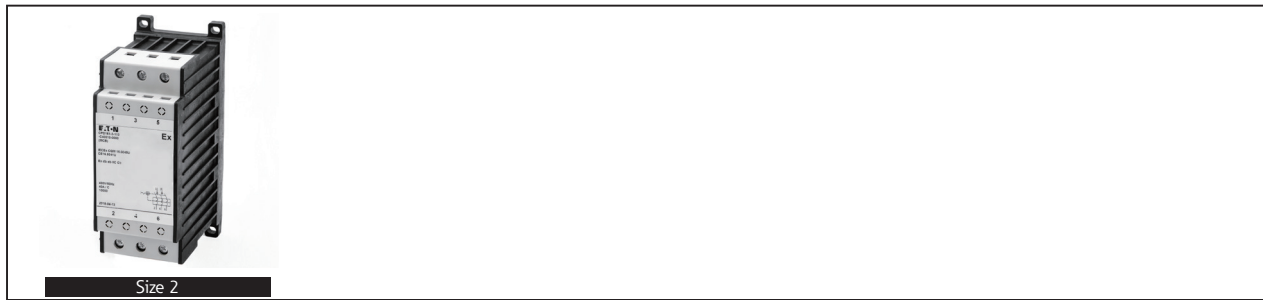
### Dimension drawing / connection diagram



Product type	A	B
CPD161-2	42	54
CPD161-3	60	72
CPD161-4	96	108



# Ex-d built-in components - Motor Contactors



## Motor Contactors

### Certifications and Compliances

Marking accd. to ATEX/IECEX	Ex db eb IIC Gb
Application temperature <sup>1)</sup>	-20°C~+50°C

### Electrical Ratings

Rated voltage	Main contact	max. 690V AC
	Auxiliary contact	max. 415V AC
Rated current	Main contact	max. 20 A
	Auxiliary contact	max. 5 A
Rated making-/rated breaking capacity accd. to EN 60947-4-1 AC-3		Ue 230 V / Pe 2,2 KW
		Ue 400 V / Pe 4 KW
		Ue 690 V / Pe 4 KW
Connection terminals	Main contact	25 mm <sup>2</sup>
	Auxiliary contact	2.5 mm <sup>2</sup>

### Additional Specifications

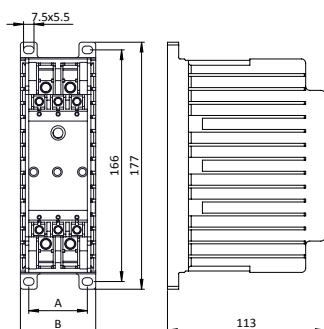
Weight	3 pole	1.13 kg size 2
Enclosure material		Reinforced flame retardant nylon
Enclosure colour		black
Options		Aux. contact

<sup>1)</sup> Depends on installation

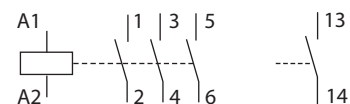
## Motor contactor Ordering logic

CPD161	-3	-6	1	-09	-AC230	-2	-1	N	
Product Group	Enclosure size	Internal components code	Internal contactor	Rated Max. operating current	Control voltage(A1-A2)	Aux. contactor NO number	Aux. contactor NC number	Tamb	
<b>CPD161</b>	<b>3</b> Size2	<b>6</b> Motor contactor	<b>1</b> Schneider/Tesys K series	<b>06</b> 6A <b>09</b> 9A <b>12</b> 12A <b>16</b> 16A	<b>AC024</b> AC24 V <b>AC042</b> AC42 V <b>AC048</b> AC48 V <b>AC110</b> AC110 V <b>AC230</b> AC230 V <b>AC240</b> AC230/240 V <b>AC400</b> AC380/400 V <b>AC440</b> AC440 V	<b>DC012</b> DC12 V <b>DC024</b> DC24 V <b>DC048</b> DC48 V <b>DC060</b> DC60 V <b>DC110</b> DC110 V <b>DC220</b> DC220 V	<b>0</b> NA <b>1</b> 1NO <b>2</b> 2NO	<b>0</b> NA <b>1</b> 1NC <b>2</b> 2NC	<b>N</b> -20°C~+55°C <b>Blank</b> -25°C~+55°C

## Dimension drawing / connection diagram



Product type	A	B
CPD161-3	60	72



# Ex-d built-in components - Installation Contactors



## Installation Contactors

### Certifications and Compliances

Marking accd. to ATEX/IECEx	Ex db eb IIC Gb
Application temperature <sup>1)</sup>	-25°C ~ +64°C / -20°C ~ +64°C

### Electrical Ratings

Rated voltage	Main contact	max. 415V AC
	Auxiliary contact	max. 415V AC
Rated current	Main contact	max. 50A
	Auxiliary contact	max. 5 A
Connection terminals	Main contact	25mm <sup>2</sup>
	Auxiliary contact	2.5 mm <sup>2</sup>

### Additional Specifications

Weight	1.13 kg size 2
	1.49 kg size 3
Enclosure material	Reinforced flame retardant nylon
Enclosure colour	black

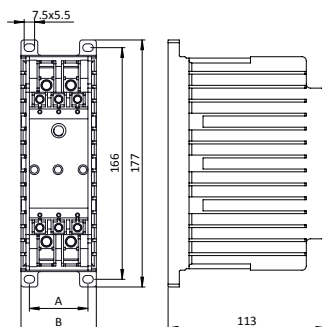
<sup>1)</sup> Depends on installation

## Installation Contactor Ordering Logic

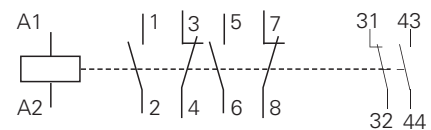
CPD161	-2	-5	1	2	-50	230	-3	1	0	1	N
Product Group	Enclosure size	Internal components code	Internal installation contactors	Installation contactor Pole number	Rated current	Control voltage (Coil voltage)	Main NO contacts	Main NC contacts	Aux. NO contacts	Aux. NC contacts	Tamb
<b>CPD161</b>	3 Size2	5 Installation contactor	1 Eaton/Z-SCH installation contactor	2 2Pole	20 20A	024 24V AC	0 0NO	0 0NC	0 0NO	0 0NC	N -20°C~+64°C Blank -25°C~+64°C
	4 Size3			4 4Pole	40 40A	230 230V AC	1 1NO	1 1NC	1 1NO	1 1NC	
					50 50A		2 2NO	2 2NC			
							3 3NO	3 3NC			
							4 4NO	4 4NC			

Enclosure size2 20A rating  
Enclosure size3 40A & 50A rating

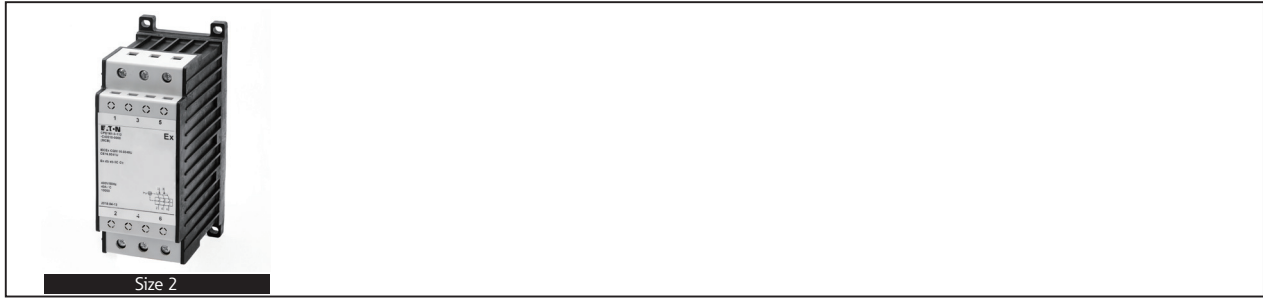
## Dimension drawing / connection diagram



Product type	A	B
CPD161-3	60	72
CPD161-4	96	108



# Ex-d built-in components - Thermal Relays



## Thermal Relays

### Certifications and Compliances

Marking accd. to ATEX/IECEx	Ex db eb IIC Gb
Application temperature <sup>1)</sup>	-20°C~+40°C

### Electrical Ratings

Rated voltage	Main contact	max. 600V AC
	Auxiliary contact	max. 600V AC
Rated current	Main contact	12.5A
	Auxiliary contact	max. 5 A
Connection terminals	Main contact	25mm <sup>2</sup>
	Auxiliary contact	2.5mm <sup>2</sup>

### Additional Specifications

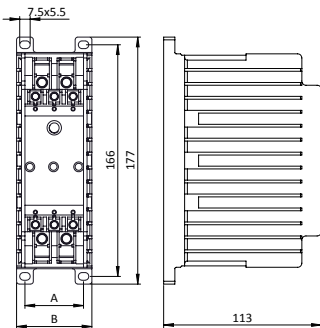
Weight	3 pole	1.13 kg size 2
Enclosure material	Reinforced flame retardant nylon	
Enclosure colour	black	

<sup>1)</sup> Depend on installation

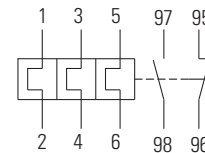
## Thermal relay orderlogic

CPD161	3	4	1	02	N
Product Group	Enclosure size	Internal components code	Rated voltage (production series)	Rated current (Tripping current)	Tamb
CPD161	3 Size2	4 Thermal relay	1 Eaton/XTOD/CC1 Thermal relay	<b>01</b> 0.3~0.45A <b>02</b> 0.45~0.67A <b>03</b> 0.67~1.0A <b>04</b> 1.0~1.5A <b>05</b> 1.4~2.1A <b>06</b> 1.8~2.7A <b>07</b> 2.4~3.6A <b>08</b> 3.5~5.0A <b>09</b> 4.0~6.0A <b>10</b> 5.5~8.5A <b>11</b> 8.5~12.5A	<b>N</b> -20°C~+40°C <b>Blank</b> -25°C~+40°C

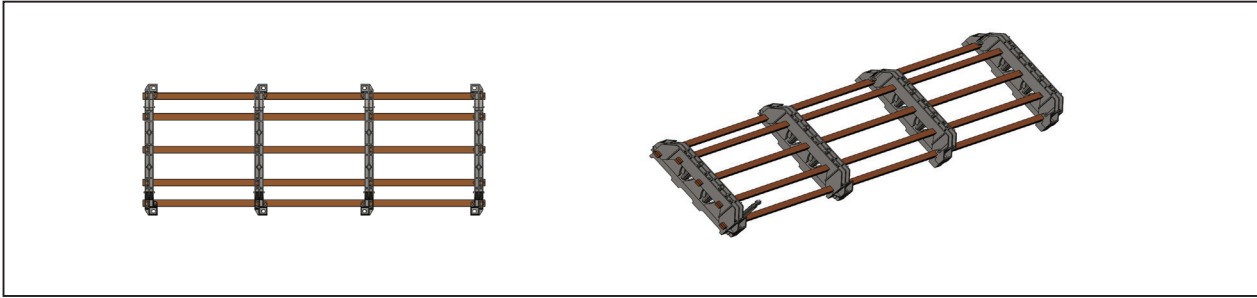
## Dimension drawing / connection diagram



Product type	A	B
CPD161-3	60	72



# Ex e built-in components - Busbar



## Busbar system

### Busbar

#### Certification and compliances

IECEX certificate	IECEX_NEP_21.0007U
Marking according to IECEX	Ex eb IIC Gb
Permissible ambient temperature	-55°C~+55°C

#### Electrical Ratings 250A

Rated voltage	690V
Rated current	250A
Rated short time current/1s	4kA
Rated short circuit current	35kA
Rated cross-section	60 mm <sup>2</sup>
Wire cross-section	1.5 mm <sup>2</sup> up to 185 mm <sup>2</sup>
Overall length of unit	Up to 6300 mm

#### Electrical Ratings 315A

Rated voltage	690V
Rated current	315A
Rated short time current/1s	10kA
Rated short circuit current	47kA
Rated cross-section	120 mm <sup>2</sup>
Wire cross-section	1.5 mm <sup>2</sup> up to 185 mm <sup>2</sup>
Overall length of unit	Up to 6300 mm

#### Eaton Electric (Singapore) PTE. Ltd.

100G Pasir Panjang Road,  
#07-08/ #02-09 Interlocal Centre,  
118523  
Singapore  
Eaton.com

© 2021 Eaton  
All Rights Reserved  
Printed in USA  
Publication No. XXXX-1218  
August 2021

Eaton is a registered trademark.

All other trademarks are property  
of their respective owners.

Follow us on social media to get the  
latest product and support information.

